



1946

CORDLESS ELECTRIC CUTTER

BOBCUT



USE AND MAINTENANCE INSTRUCTIONS

Please read this manual carefully before using the device and keep it safe with the product.

TRANSLATION OF ORIGINAL AND COMPLETE INSTRUCTIONS

MEANING OF WARNING AND DANGER SYMBOLS

Safety instructions, which must be followed to prevent physical harm, are identified by the following symbols:

CAUTION HAZARD



Indicates operations that can cause generic injuries or trigger malfunctions or damage to the equipment and/or materials if not carried out correctly; particular attention and adequate preparation are therefore required.

CAUTION ELECTRICAL HAZARD



Indicates operations that can cause electrical injuries or trigger malfunctions or damage to the equipment and/or materials if not carried out correctly; particular attention and adequate preparation are therefore required.

DO NOT



Indicates PROHIBITED operations.

EC - DECLARATION OF CONFORMITY

PRODUCT MANUFACTURED BY:

RASOR ELETTROMECCANICA S.r.l.
Via Giannetto Mattei, 41/43 - 20044 Arese- (MI) - ITALY

Model: BOBCUT

Rasor Elettromeccanica s.r.l. declares, under its own responsibility, that the aforementioned products, to which this declaration refers, comply with the Directives on the approximation of the laws of EEC member states relating to:

- Machinery 2006/42/EC;
- Electromagnetic Compatibility 2014/30/EU
- RoHS Directive 2011/65/EU

Milan, 01/06/2022.

Mr Lorenzo Spinelli
CEO

INDEX

1 GENERAL INFORMATION	3
1.1 Important safety information	3
1.1.1 General warnings	3
1.2 Prohibitions	4
1.3 Handling and storage	4
1.4 Limits of use	4
1.5 Technical specifications	4
1.6 Noise	4
1.7 Limitation of liability	4
1.8 Identification data	4
1.9 Package contents	5
1.9.1 Information on batteries	5
1.10 Description of the device	5
2 USE.....	6
2.1 Manual mode	6
2.2 Charging the batteries	6
2.2.1 Check the battery charge level	6
2.2.2 Charging the battery	6
3 MAINTENANCE	8
3.1 Blade sharpening	8
3.2 Lubrication	8
3.3 Replacing the blade	8
3.3.1 Available blades	9
3.4 Problems and possible causes/solutions	10
4 SPARE PARTS.....	10
5 DISPOSAL	10
5.1 Disposal at end of life	10
6 WARRANTY	11

GENERAL INFORMATION

1 GENERAL INFORMATION

1.1 Important safety information

1.1.1 General warnings

- The product user must store the following instructions carefully and follow them closely, as improper use of the device can harm people or damage the product or property, exempting **Rasor Elettromeccanica S.r.l.** from any liability.
- The following instructions must be kept with the product to which they refer and be stored in a place where users can access and view them.
- Reproduction, in whole or in part, of the illustrations or text given in these instructions is prohibited. **Rasor Elettromeccanica S.r.l.** reserves the right to amend the documentation without prior notice.



CAUTION HAZARD

It is particularly important to keep the product out of reach of children and pets.
 The product must be used indoors, away from heat, wet and humidity.
 The product must be cleaned solely with a dry cloth, after having disconnected it from the power source.
 During normal work operations, do not wear loose-fitting clothing or accessories that may be a source of risk.
 Wear metal mesh safety gloves and safety goggles during the normal work cycle.
 Materials must be perfectly dry when using the product.



CAUTION HAZARD

The product must be started and used solely in compliance with all safety guidelines given in these instructions.
 Failure to follow these instructions, or any product alteration not carried out by our authorised technicians, will void the warranty and relieve the manufacturer of any liability arising from harm to people, damage to property or to the product itself.



CAUTION HAZARD

The cordless electric cutter also works without a safety guard. This guard must NEVER be removed.
 Metal parts may be hot after use.



CAUTION HAZARD

Check that electrical and mechanical parts are in excellent working order before starting the device.
 Children must not play with the product.
 Cleaning and maintenance intended to be carried out by the user must not be carried out by unsupervised children.
 Use only original spare parts supplied by Rasor Elettromeccanica S.r.l.
 Any required operation (maintenance or repair) must be carried out by qualified personnel after having cut the power supply, thus preventing accidental start-up which could cause harm to people or property. Switching the product off is not sufficient.
 Users must follow the accident-prevention regulations in force in their country and must use adequate protection when using and maintaining the product.

1.2 Prohibitions



DO NOT

- The product and its electrical or mechanical connections **MUST NOT** be tampered with or modified.
- It is **FORBIDDEN** to remove parts of the product.
- It is **FORBIDDEN** to use the product in areas at risk of explosion and/or fire.
- It is **FORBIDDEN** to use the product or accessories with wet hands. Risk of electrocution.

1.3 Handling and storage

The product must be stored in its original packaging and in a dry, covered location away from heat sources, dirt and humidity. The product can be stored between 0° and 55°C.

1.4 Limits of use

All Rasor Elettromeccanica products are tested before being shipped to the customer to guarantee safe and long-lasting operation.

The product must be used solely for its intended purpose. Any other use is forbidden and constitutes a risk.

The product operates at a maximum temperature of 55°C.

The protection rating of the device is IP 65.

1.5 Technical specifications

Model	BOBCUT
Blade diameter	70 mm, with carbide fixed blade
Blade supplied	70EHSS, 6-sided, HSS Steel
Blade speed	850 r.p.m.
Cutting capacity	20 mm
Motor power	DC 18 V, 400 W
Battery	16,8 V Li-Ion®, 2.0 Ah rechargeable with LED charge indicator
Charge time	60 min
Weight (with battery)	1100 g
Total weight (with packaging)	1200 g
Minimum brightness for use	200 LUX
Start-up vibration	< 2.5 m/sec ²
Usage temperature	0 - 55° C
Usage humidity	10%-95% without condensation

1.6 Noise

The maximum sound pressure level emitted is approximately 60 dB (A). Airborne noise was detected in compliance with EN ISO 15744:2008. The noise levels emitted by the device at various detection distances (with no soundwave filtration system) vary by a few db (A).

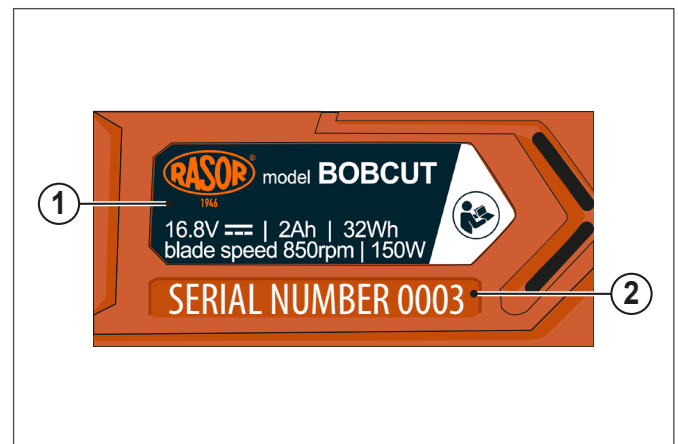
1.7 Limitation of liability

The manufacturer declines all liability for any damage and malfunctions arising from:

- failure to follow the instructions given in this manual
- repairs not carried out in a workmanlike manner (the use of non-original spare parts and accessories can adversely affect product operation)
- damage caused by arbitrary changes by the user or by unauthorised interventions
- failure to carry out maintenance as indicated
- power supply faults
- damage or defects caused by improper use
- use by untrained or unauthorised personnel
- damage or defects caused by failure to follow use and maintenance instructions.

1.8 Identification data

A nameplate (1) stating the product data is applied to the BOBCUT. The serial number is engraved onto the machine (2). Ensure the nameplate has been applied to the product; if not, inform the manufacturer and/or retailer immediately. Devices without the nameplate must not be used, or the manufacturer's liability will be voided.



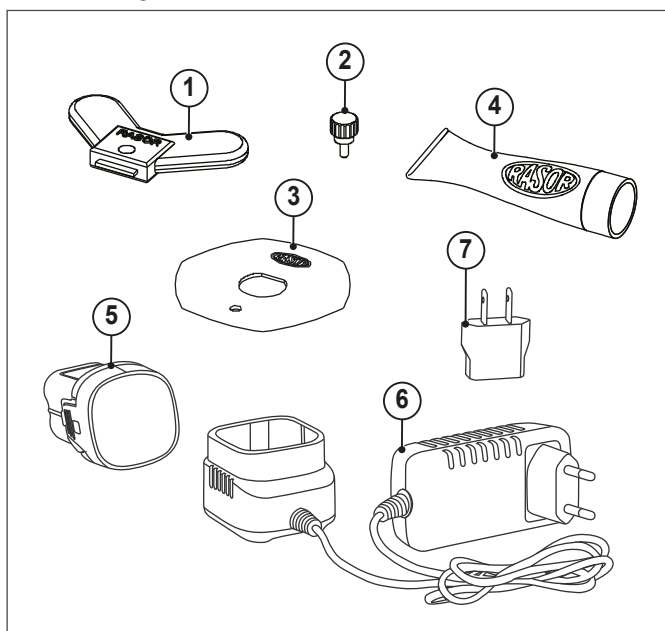
GENERAL INFORMATION

1.9 Package contents

The cutter is supplied with batteries and a charger in a case (A). The product code and serial number are specified on the outer packaging.



The following accessories are also included:



- 1 Butterfly key for removing blade nut
- 2 Blade assembly/disassembly punch
- 3 6-sided blade
- 4 Tube of grease
- 5 Spare battery
- 6 Charger + docking station with European plug
- 7 American plug adapter

1.9.1 Information on batteries

Following a few simple guidelines extends the lifespan of the batteries supplied:

- charge the battery fully before using it for the first time
- recharge when it is almost flat (approximately 10-20% charge remaining). The battery cells can be recharged up to 200 times
- avoid letting the battery go completely flat or overcharging it
- recharge at room temperature (+18/21°C)
- do not leave the battery in direct sunlight
- if not used for a prolonged period, store the battery with

approximately 50% charge remaining at a room temperature of 5/10°C

- recharge at least every 12 months.

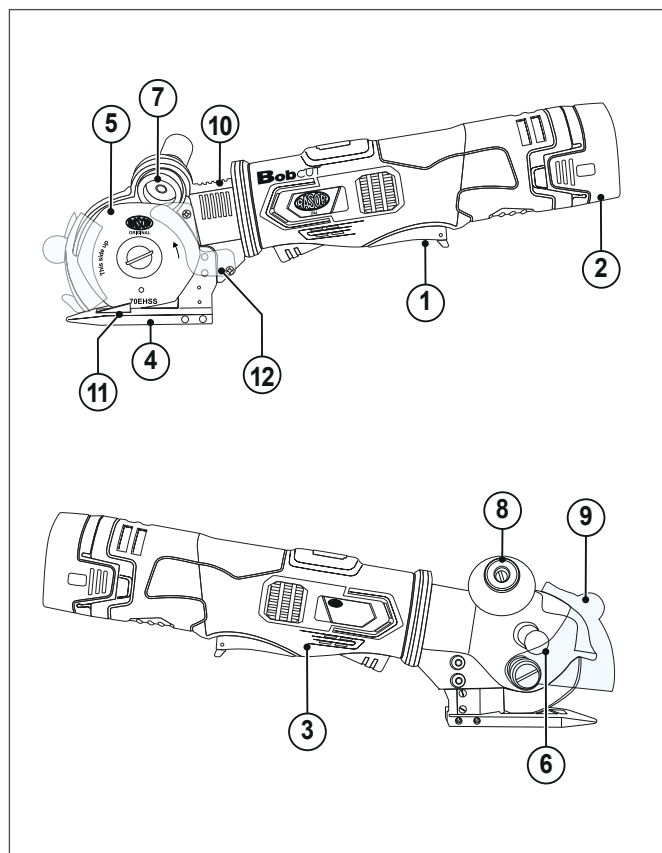
1.10 Description of the device

The **BOBCUT** cordless electric cutter has been designed, built and assembled for cutting fabrics and all kinds of materials – **EXCEPT FOR** metals, plastic and wood – using a rotary blade.

The equipment must not be used:

- in environments with explosive atmospheres;
- in the presence of fine dust or corrosive gases;
- for cutting plastic, metal or wood materials.

Any use of the BOBCUT cordless electric cutter for purposes other than those indicated above is prohibited and constitutes a hazard.



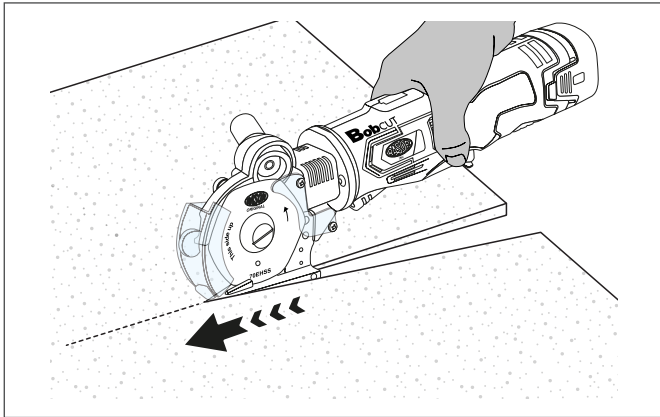
- | | |
|-------------------------|-------------------------|
| 1 Power button | 8 Sharpener button |
| 2 Li-ion 16,8 V battery | 9 Blade protection case |
| 3 Plastic motor housing | 10 Motor support |
| 4 Steel base | 11 Carbide fixed blade |
| 5 Polygonal steel blade | 12 Rear protection |
| 6 Greaser | |
| 7 Emery wheel | |

2 USE

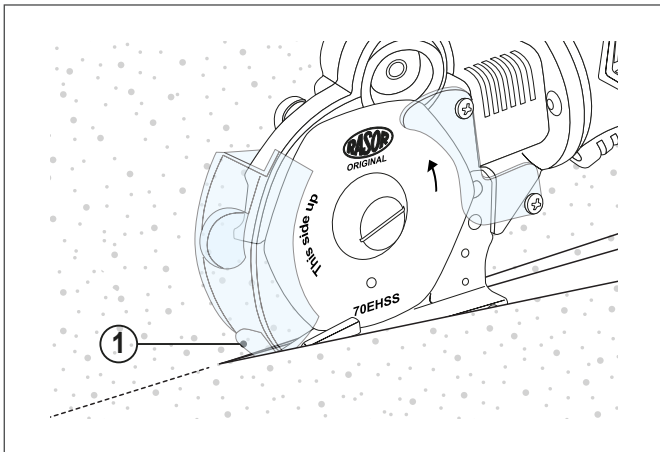
2.1 Manual mode

To use the cordless electric cutter manually:

- Disconnect the battery from the charger (if charged) as described in section 2.2;
- Attach the battery to the motor, fitting it as indicated on the battery itself;
- Lay out the material on a table;
- Position the material above the cutting base;
- Move the safety lever and start the machine by pressing the trigger button;
- Push the cordless electric cutter in the direction of the required cut, while keeping the material taut to avoid it curling up in the front part of the cutter.



- To cut neatly along a pre-marked line, we recommend using the tip (1) as a guide.



WARNINGS

Apply pressure uniformly to the cordless electric cutter



2.2 Charging the batteries

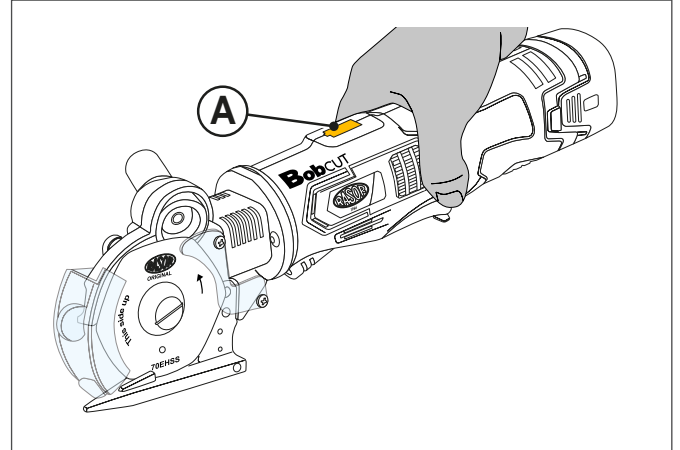


CAUTION

Always check the charger voltage against the mains voltage for the country of use.

2.2.1 Check the battery charge level

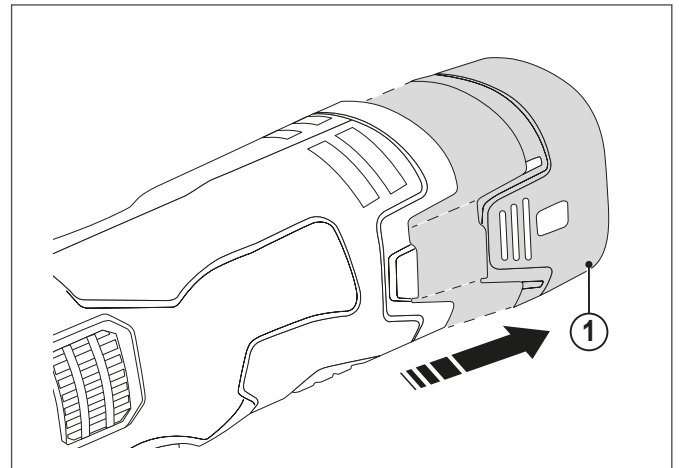
Check the indicator LED on the machine (A) to view the battery charge status.



2.2.2 Charging the battery

When the battery is flat, recharge it using solely the charger supplied with the device.

- Release the battery (1) from the motor.
- Connect the battery charger to the socket without the rechargeable battery. The green LED indicator switches on, signalling it is available for use.



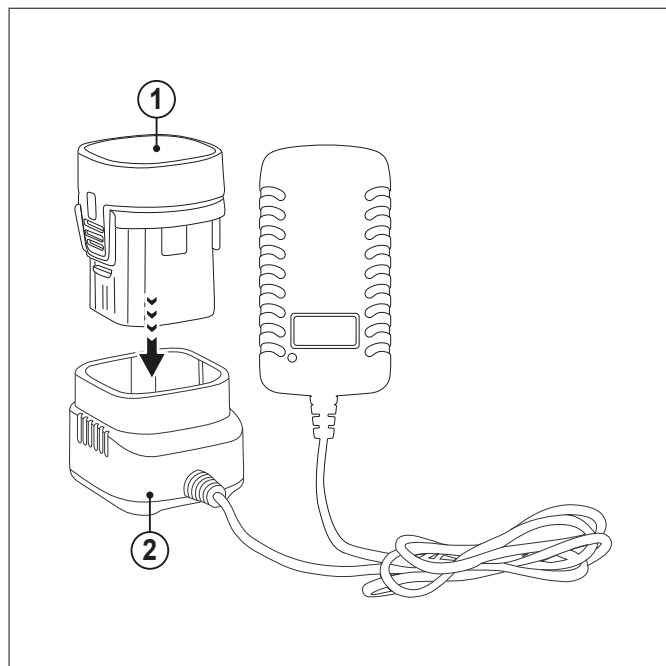
CAUTION

Repeated charging of a charged battery causes an overcharge and impairs battery life.



USE

- Insert the rechargeable battery (1) into the charger (2).



A steady red light signals the battery is charging.

- The green light becomes steady when the battery is fully charged.
- Fast charging starts automatically as soon as the battery temperature is within the charging range of 5°C to 45°C.
- The charger automatically switches off once the battery is fully charged.



CAUTION

Never use batteries other than the one supplied (16.8 V Li-Ion®, 2.0 Ah rechargeable).
Only ever use the charger supplied.



CAUTION

If battery performance drops after a short time despite proper recharging, the battery is worn out and must be replaced.

3 MAINTENANCE

3.1 Blade sharpening

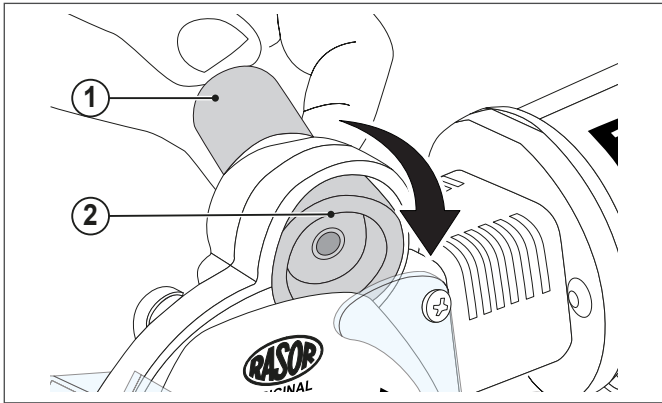
After several hours of continuous use, or if the cutter is no longer cutting as it should, sharpen the blade.

To sharpen the blade, start the cutter then press and hold the sharpening button (1) for 3-4 seconds.

Repeat 2-3 times.

If sharpening the blade is not effective, check the emery wheel (2) for wear.

If the emery wheel (2) is excessively worn or dirty, replace the wheel. To do this, first remove the blade using the appropriate tool.



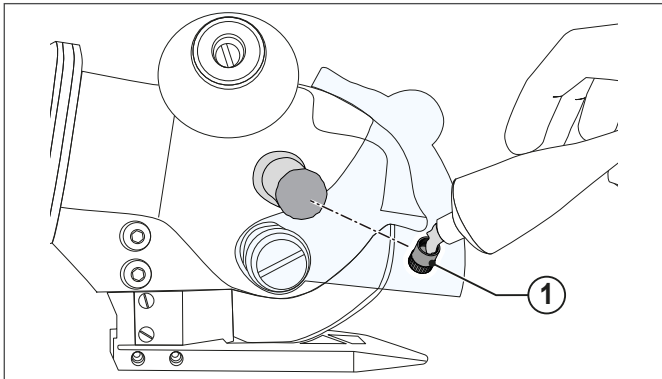
3.2 Lubrication

Lubricate the pair of gears every 2-3 days of use.

To do this, remove the protective cap (1) on the cutter head and fill with grease (supplied).

Turn the cap (1) a few times to screw it back on.

Tighten the cap (1) by a few turns every day the cutter is used.



CAUTION

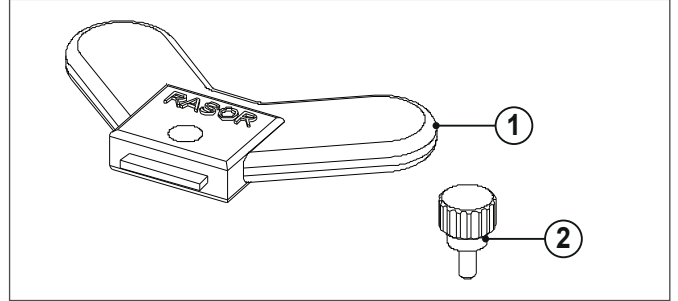


The blade must never be dirty with grease or oil.

3.3 Replacing the blade

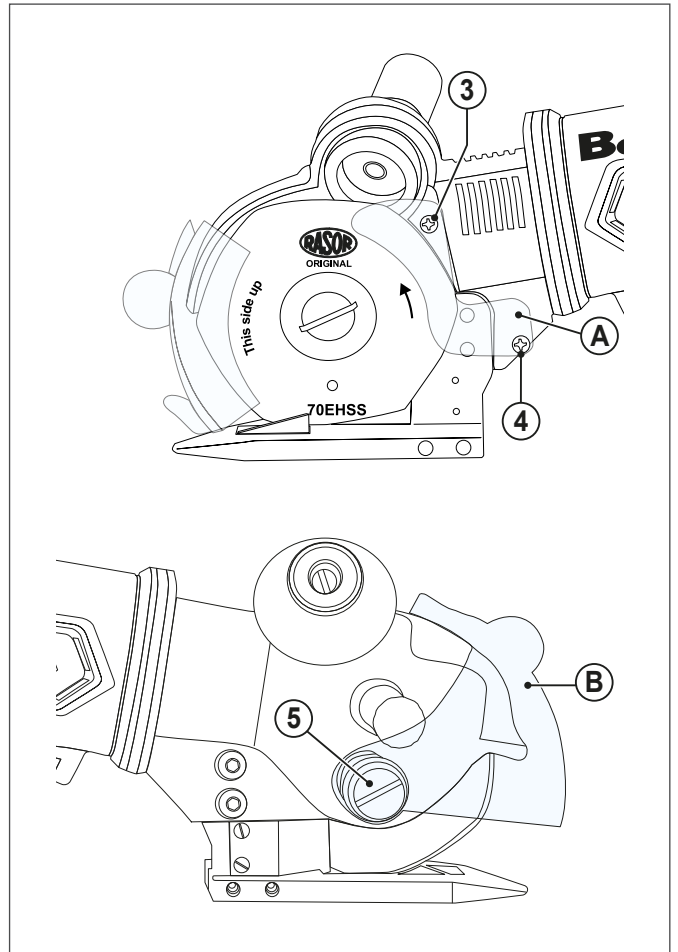
If the blade no longer cuts the material (even after repeated sharpening), replace it.

To do this you need the butterfly key (1) and blade-locking punch (2).



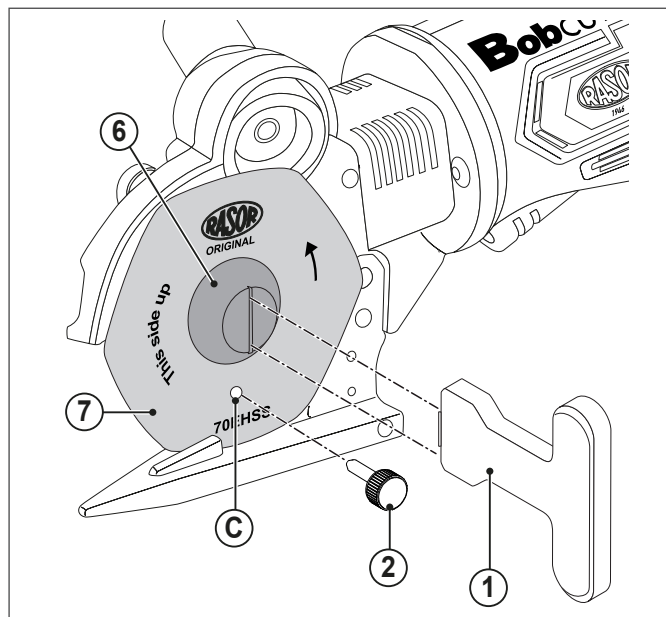
To replace the blade:

- 1 Disconnect the battery from the tool;
- 2 Wear protective gloves in accordance with Italian Legislative Decree 81/08;
- 3 Unscrew the screws (3) and (4) and remove the rear protection (A);
- 4 Unscrew the screw (5) and remove the blade protection case (B);

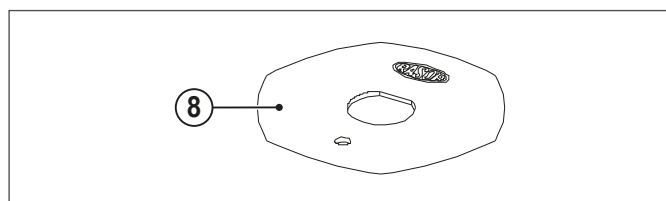


MAINTENANCE

- 5 Insert the punch (2) in the hole (C) to lock the blade;
- 6 Position the butterfly key (1) on the blade fixed ring nut (6), unscrew the ring nut and remove the blade (7);



- 7 Replace the worn blade with a new one (8) of the same size and with the same specifications. Make sure the blade is centred on the gear in the correct position. Fit the blade with the sharp side (the side with the word **Rasor** on it) facing outwards away from the cutter;



- 8 Refit all parts and test both cutting and sharpening.

3.3.1 Available blades

CODE	DESCRIPTION
70SHSS	4-sided Ø 70 mm HSS Steel blade
70EHSS	6-sided Ø 70 mm HSS Steel blade
70CHSS	Ø 70 mm HSS circular steel blade
70DHSS	10-sided Ø 70 mm HSS Steel blade
70SHSSTF	4-sided Ø 70 mm Teflon coated HSS Steel blade
70EHSSTF	6-sided Ø 70 mm Teflon coated HSS Steel blade
70EMD	6-sided Ø 70 mm solid carbide blade

Technical data are indicative and subject to change without notice.

3.4 Problems and possible causes/solutions

ANOMALY	SOLUTION
The textile is not cut or gets stuck between the blade and the fixed blade	Check that the blade and fixed blade are touching and that there is no residual material on the fixed blade
	Check that the fixed blade is integral
	Check the type of textile
	Sharpen the blade
	Check the textile thickness
	Check compatibility between the blade and the fabric
	Check the motor turns correctly
	Check the battery charge level
The cutter is noisy	Reduce the speed
	Lubricate
The cutter is slow to start, works on and off, or does not start	Dismantle the blade and remove residual material
	Check the batteries are inserted correctly
	Check the battery charge level

WARNINGS

Contact the retailer for problems not included in this table

4 SPARE PARTS

WARNINGS

Use only original spare parts to replace faulty components

When requesting spare parts, always state the exact model name and the device's serial number.

DO NOT

Use unsuitable spare parts. They can cause anomalous operation and harm people or property.

WARNINGS

For an exploded diagram of spare parts with item codes, visit www.rasor-cutters.com

5 DISPOSAL

5.1 Disposal at end of life

CAUTION

Some parts of the product may contain polluting or hazardous substances that, if leaked, could harm the environment and human health.

PRODUCT CONFORMING TO EU DIRECTIVE 2012/19/EU on waste electrical and electronic equipment (WEEE).

The crossed out wheeled bin symbol on the equipment or its packaging indicates that the product must be collected separately from other waste at the end of its life.



As such, the user must take the product at the end of its life to a suitable centre for recycling electrical and electronic waste.

Separate collection enables the decommissioned equipment to be properly recycled, treated and disposed of whilst preventing harm to the environment and to health and facilitating the reuse and/or recycling of the device's component materials.

Spent batteries must be disposed of according to current regulations.

CAUTION

Existing local regulations may impose heavy penalties for improper disposal of this product.

WARRANTY

6 WARRANTY

Rasor® Elettromeccanica S.r.l. cordless electric scissors are covered by a 12-month warranty from the manufacture date, barring other written agreement.

The warranty covers all material and manufacturing defects and envisages the replacement of spare parts or the repair of defective parts solely by us at our workshop.

If returning the product to us for repair, the customer must always send the complete scissors to Rasor®. Individual defective parts will not be accepted for repair under warranty.

Material for repair must be sent CARRIAGE PAID.

Once repaired, the device will be returned to the customer CARRIAGE FORWARD.

The warranty does not cover our technicians working on the customer's premises or dismantling the product.

If one of our technicians has to be sent out for practical reasons, labour will be charged at current rates plus travel expenses.

THE WARRANTY DOES NOT COVER:

- faults caused by incorrect use or assembly;
- faults caused by external agents;
- faults caused by neglect or poor maintenance;
- normal wear and tear on the blades and products.

THE WARRANTY IS VOIDED:

- in the event of delinquency or other breach of contract;
- if repairs or changes are made to our cordless electric scissors without our consent;
- if the serial number is tampered with or erased;
- if damage is caused by improper use or poor treatment, e.g. knocks, falls or other causes not attributable to normal operating conditions;
- if the device is dismantled, tampered with or repaired by personnel not authorised by Rasor® Elettromeccanica S.r.l.;
- if the cordless electric scissors are used for purposes other than those stated in this manual;
- if parts other than Rasor® original spare parts are used.

Repairs made under warranty do not interrupt its duration.

The competent court for all disputes is the court of Milan.

RASOR ELETTROMECCANICA SRL

Via Giannetto Mattei 41/43

20044 Arese (MI) · Italy

ph. +39 02 66 22 12 31

info@rasor-cutters.com

www.rasor-cutters.com

FOLLOW US:

